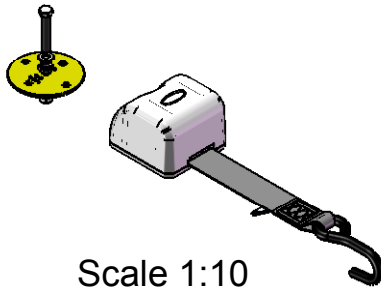


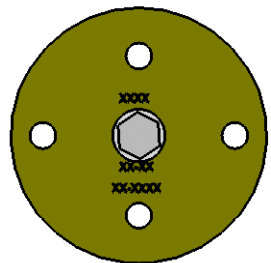
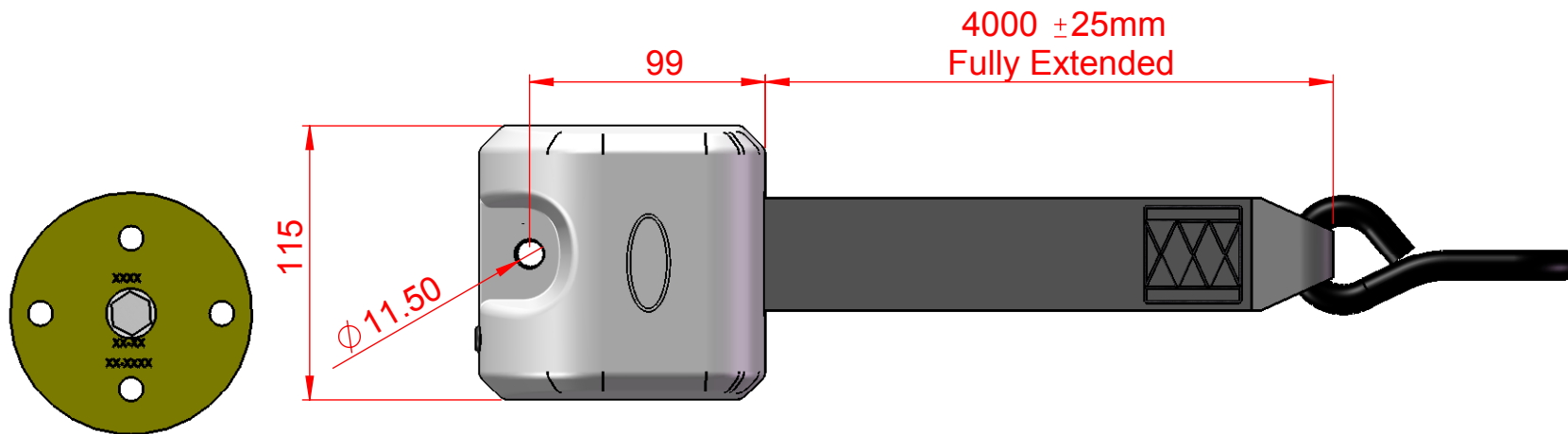
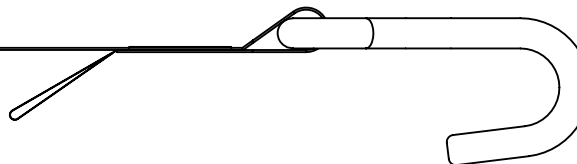
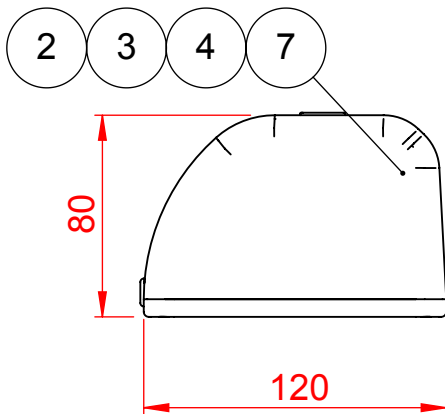
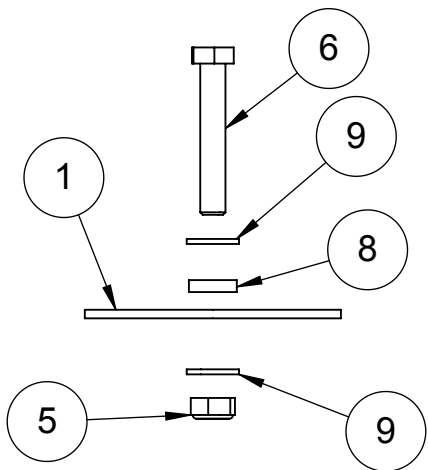
THIRD ANGLE



Item No.	Part No. & Description	Qty.
1	Q5-7530 - Washer - Zinc Dichromate	2
2	Q8-6503 - #6 x 3/4 Security Torx ScREW S/S	8
3	Q8-6520-ER4 - Top Zinc Cover Electrical Retractor	2
4	Q8-6522-ER4 - Bottom Zinc Cover Electrical Retractor	2
5	QE9-5027 - M10 Nylock Nut	2
6	QE9-5059 - M10 x 60 Hex Head Screw BZP Grade 8.8	2
7	QER-4000-SA - Electrical Retractor 4M With 'J' Hook	2
8	Q8-6562-E - 3/4 x 3/16 Spacer	2
9	QE9-5042- M10 Washer - BZP	3

Notes:

1. Assemble cover onto retractor using 4 Torx screws, ensuring that grommet is placed into hole at rear of retractor and that the leads from retractor come through grommet and are not pinched by casing during assembly.
2. Pack fixings into in a small bag and supply with retractor sub-assembly.



72 - 76 John Wilson Business Park
Whitstable
Kent
CT5 3QT

THE USE, DUPLICATION, DISTRIBUTION OR DISCLOSURE OF THIS DATA (IN WHOLE OR IN PART) FOR PURPOSES OF MANUFACTURING OR PROCUREMENT WITHOUT THE WRITTEN PERMISSION OF "Q'STRAIN" IS EXPRESSLY PROHIBITED.

DRAWN BY:
K. T.

CHANGED BY:

VERIFIED BY:

SCALE:
1:3

1	ORIGINAL DRAWING	17/05/11
No.	DESCRIPTION	DATE
ISSUE HISTORY		
MATERIAL:	See individual part drawings	
MATERIAL FINISH:	See individual part drawings	
MATERIAL THICKNESS:	N/A mm	
GENERAL TOLERANCE:	± 20.0 mm (Unless Otherwise Stated)	

Description
Pair of Electrical Retractor 4M Zinc Cover with 'J' Hook

DRAWING No.
QER-4000-CVR